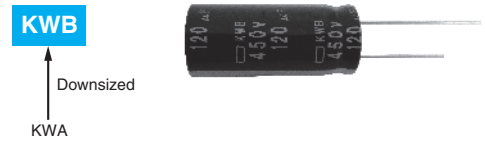


**KWB** Upgrade! Series

- Ideal for low profile power supply applications
- Downsized form KWA series
- Rated voltage range : 400 to 450V<sub>dc</sub>, Capacitance range : 18 to 270μF
- Endurance with ripple current : 5,000 hours at 105°C
- Non solvent resistant type
- RoHS2 Compliant

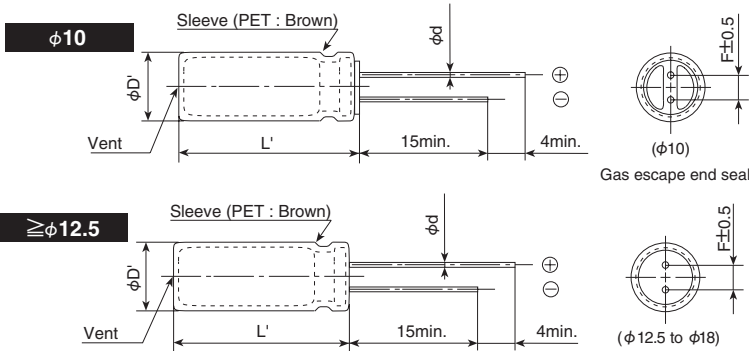


◆ SPECIFICATIONS

Items	Characteristics	
Category	-40 to +105°C	
Temperature Range		
Rated Voltage Range	400 to 450V <sub>dc</sub>	
Capacitance Tolerance	±20% (M) (at 20°C, 120Hz)	
Leakage Current	I=0.04CV+100 (after 1 minute) I=0.02CV+25 (after 5 minutes) Where, I : Max. leakage current(μA), C : Nominal capacitance (μF), V : Rated voltage (V) (at 20°C)	
Dissipation Factor (tan δ)	Rated voltage (V <sub>dc</sub> )	400 to 450V
	tan δ (Max.)	0.20 (at 20°C, 120Hz)
Low Temperature Characteristics (Max. Impedance Ratio)	Rated voltage (V <sub>dc</sub> )	400 to 450V
	Z(-25°C)/Z(+20°C)	6
	Z(-40°C)/Z(+20°C)	10 (at 120Hz)
Endurance	The following specifications shall be satisfied when the capacitors are restored to 20°C after subjected to DC voltage with the rated ripple current is applied (the peak voltage shall not exceed the rated voltage) for 5,000 hours at 105°C.	
	Capacitance change	≤ ±20% of the initial value
	D.F. (tan δ)	≤200% of the initial specified value
	Leakage current	≤The initial specified value
Shelf Life	The following specifications shall be satisfied when the capacitors are restored to 20°C after exposing them for 1,000 hours at 105°C without voltage applied. Before the measurement, the capacitor shall be preconditioned by applying voltage according to Item 4.1 of JIS C 5101-4.	
	Capacitance change	≤ ±20% of the initial value
	D.F. (tan δ)	≤200% of the initial specified value
	Leakage current	≤500% of the initial specified value

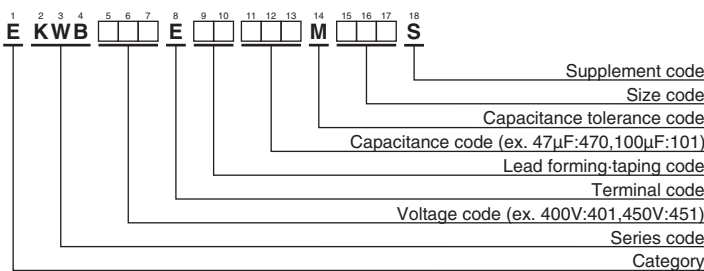
◆ DIMENSIONS [mm]

● Terminal Code : E



φD	10	12.5	14.5	16	18
φd	0.6	0.6	0.8	0.8	0.8
F	5.0	5.0	7.5	7.5	7.5
φD'	φD+0.5 max.				
L'	L+2.0 max.				

◆ PART NUMBERING SYSTEM



Please refer to "Product code guide (radial lead type)"



◆STANDARD RATINGS

WV (V <sub>dc</sub> )	Cap (μF)	Case size φD×L(mm)	tan δ	Rated ripple current (mA <sub>rms</sub> /105°C, 120Hz)	Part No.	WV (V <sub>dc</sub> )	Cap (μF)	Case size φD×L(mm)	tan δ	Rated ripple current (mA <sub>rms</sub> /105°C, 120Hz)	Part No.
400	22	10×20	0.20	235	EKWB401E□□220MJ20S	450	18	10×20	0.20	210	EKWB451E□□180MJ20S
	27	10×25	0.20	285	EKWB401E□□270MJ25S		27	10×25	0.20	285	EKWB451E□□270MJ25S
	39	10×30	0.20	365	EKWB401E□□390MJ30S		33	10×30	0.20	335	EKWB451E□□330MJ30S
	39	12.5×20	0.20	345	EKWB401E□□390MK20S		33	12.5×20	0.20	320	EKWB451E□□330MK20S
	47	10×35	0.20	425	EKWB401E□□470MJ35S		39	10×35	0.20	385	EKWB451E□□390MJ35S
	56	10×40	0.20	485	EKWB401E□□560MJ40S		47	10×40	0.20	445	EKWB451E□□470MJ40S
	56	12.5×25	0.20	450	EKWB401E□□560MK25S		47	12.5×25	0.20	415	EKWB451E□□470MK25S
	68	10×45	0.20	555	EKWB401E□□680MJ45S		56	10×45	0.20	505	EKWB451E□□560MJ45S
	68	10×50	0.20	575	EKWB401E□□680MJ50S		56	10×50	0.20	520	EKWB451E□□560MJ50S
	68	12.5×30	0.20	530	EKWB401E□□680MK30S		56	12.5×30	0.20	480	EKWB451E□□560MK30S
	68	16×20	0.20	510	EKWB401E□□680ML20S		56	16×20	0.20	460	EKWB451E□□560ML20S
	82	12.5×35	0.20	610	EKWB401E□□820MK35S		68	12.5×35	0.20	560	EKWB451E□□680MK35S
	82	18×20	0.20	585	EKWB401E□□820MM20S		82	12.5×40	0.20	640	EKWB451E□□820MK40S
	100	12.5×40	0.20	705	EKWB401E□□101MK40S		82	12.5×45	0.20	660	EKWB451E□□820MK45S
	100	14.5×31.5	0.20	680	EKWB401E□□101MUN3S		82	14.5×31.5	0.20	615	EKWB451E□□820MUN3S
	100	16×25	0.20	670	EKWB401E□□101ML25S		82	16×25	0.20	605	EKWB451E□□820ML25S
	120	12.5×45	0.20	800	EKWB401E□□121MK45S		82	18×20	0.20	585	EKWB451E□□820MM20S
	120	12.5×50	0.20	820	EKWB401E□□121MK50S		100	12.5×50	0.20	750	EKWB451E□□101MK50S
	120	14.5×35	0.20	765	EKWB401E□□121MU35S		100	14.5×35	0.20	700	EKWB451E□□101MU35S
	120	16×31.5	0.20	790	EKWB401E□□121MLN3S		100	16×31.5	0.20	720	EKWB451E□□101MLN3S
	120	18×25	0.20	755	EKWB401E□□121MM25S		100	18×25	0.20	690	EKWB451E□□101MM25S
	150	16×35	0.20	905	EKWB401E□□151ML35S		120	16×35	0.20	810	EKWB451E□□121ML35S
	150	18×31.5	0.20	915	EKWB401E□□151MMN3S		120	18×31.5	0.20	815	EKWB451E□□121MMN3S
	180	16×40	0.20	1,020	EKWB401E□□181ML40S		150	16×40	0.20	935	EKWB451E□□151ML40S
	180	16×45	0.20	1,040	EKWB401E□□181ML45S		150	16×45	0.20	950	EKWB451E□□151ML45S
	180	18×31.5	0.20	1,000	EKWB401E□□181MMN3S		150	18×31.5	0.20	915	EKWB451E□□151MMN3S
	180	18×35	0.20	1,020	EKWB401E□□181MM35S		150	18×35	0.20	935	EKWB451E□□151MM35S
220	16×50	0.20	1,170	EKWB401E□□221ML50S	180	16×50	0.20	1,060	EKWB451E□□181ML50S		
220	18×40	0.20	1,160	EKWB401E□□221MM40S	180	18×40	0.20	1,050	EKWB451E□□181MM40S		
270	18×45	0.20	1,310	EKWB401E□□271MM45S	220	18×45	0.20	1,190	EKWB451E□□221MM45S		
270	18×50	0.20	1,310	EKWB401E□□271MM50S	220	18×50	0.20	1,190	EKWB451E□□221MM50S		
420	22	10×20	0.20	235	EKWB421E□□220MJ20S						
	27	10×25	0.20	285	EKWB421E□□270MJ25S						
	33	12.5×20	0.20	320	EKWB421E□□330MK20S						
	39	10×30	0.20	365	EKWB421E□□390MJ30S						
	47	10×35	0.20	425	EKWB421E□□470MJ35S						
	47	12.5×25	0.20	415	EKWB421E□□470MK25S						
	56	10×40	0.20	485	EKWB421E□□560MJ40S						
	56	10×45	0.20	505	EKWB421E□□560MJ45S						
	56	10×50	0.20	520	EKWB421E□□560MJ50S						
	68	12.5×30	0.20	530	EKWB421E□□680MK30S						
	68	16×20	0.20	510	EKWB421E□□680ML20S						
	82	12.5×35	0.20	610	EKWB421E□□820MK35S						
	82	12.5×40	0.20	640	EKWB421E□□820MK40S						
	82	14.5×31.5	0.20	615	EKWB421E□□820MUN3S						
	82	16×25	0.20	605	EKWB421E□□820ML25S						
	82	18×20	0.20	585	EKWB421E□□820MM20S						
	100	12.5×45	0.20	730	EKWB421E□□101MK45S						
	100	14.5×35	0.20	700	EKWB421E□□101MU35S						
	120	12.5×50	0.20	820	EKWB421E□□121MK50S						
	120	16×31.5	0.20	790	EKWB421E□□121MLN3S						
	120	18×25	0.20	755	EKWB421E□□121MM25S						
	150	16×35	0.20	905	EKWB421E□□151ML35S						
	150	16×40	0.20	935	EKWB421E□□151ML40S						
	150	18×31.5	0.20	915	EKWB421E□□151MMN3S						
	180	16×45	0.20	1,040	EKWB421E□□181ML45S						
	180	16×50	0.20	1,060	EKWB421E□□181ML50S						
	180	18×35	0.20	1,020	EKWB421E□□181MM35S						
180	18×40	0.20	1,050	EKWB421E□□181MM40S							
220	18×45	0.20	1,190	EKWB421E□□221MM45S							
270	18×50	0.20	1,310	EKWB421E□□271MM50S							

□□ : Enter the appropriate lead forming or taping code.

◆RATED RIPPLE CURRENT MULTIPLIERS

● Frequency Multipliers

Capacitance(μF)	Frequency(Hz)			
	120	1k	10k	100k
18 to 82	1.00	1.50	1.75	1.80
100 to 270	1.00	1.30	1.40	1.50

The deterioration of aluminum electrolytic capacitors accelerates their life due to the internal heating produced by ripple current. For details, refer to Section "5-3 Ripple Current Effect on Lifetime" in the catalog, Technical Note.



- Always read "Notes on Use" before using the product in order to enable you to use the product correctly and prevent any faults and accidents from occurring.
- Request the Product Specification on the product of NIPPON CHEMI-CON CORPORATION to refer to it as well as this brochure prior to the order of the products. Some specific notes on use of the ordered product may be described in the specifications.
- The products listed in this catalog are designed and manufactured for general electronics equipment use and are not intended for use in applications that can adversely affect human life; where the malfunction of equipment may cause damage to life or property. In addition, our products are not intended to be used in specific applications that may cause a major social impact. Please consult with us in advance of usage of our products in the following listed applications. ① Aerospace equipment ② Power generation equipment such as thermal power, nuclear power etc. ③ Medical equipment ④ Transport equipment (automobiles, trains, ships, etc.) ⑤ Transportation control equipment ⑥ Disaster prevention / crime prevention equipment ⑦ Highly publicized information processing equipment ⑧ Submarine equipment ⑨ Other applications that are not considered general-purpose applications.
- The circuits described as examples in this catalog and the "delivery specifications" are featured in order to show the operations and usage of our products, however, this fact does not guarantee that the circuits are available to function in your equipment systems. We are not in any case responsible for any failures or damage caused by the use of information contained herein. You should examine our products, of which the characteristics are described in the "delivery specifications" and other documents, and determine whether or not our products suit your requirements according to the specifications of your equipment systems. Therefore, you bear final responsibility regarding the use of our products.  
Please make sure that you take appropriate safety measures such as use of redundant design and malfunction prevention measures in order to prevent fatal accidents and/or fires in the event any of our products malfunction.
- We strongly recommend our customers to purchase Nippon Chemi-Con products only through our official sales channels. We assume no responsibility for any defects or damages caused by using products purchased from outside our official sales channel or of counterfeit goods. In addition, we will ask the customer to pay the investigation cost for products purchased outside our official sales channel.
- We reserve the right to discontinue production and delivery of products. We do not guarantee that all the products included in this catalog will be available in the future.  
The aforementioned does not apply in the case of individual agreements deviating from the foregoing for customer-specific products
- We continually strive to improve the quality and reliability of our products, but in any case that our product does not meet our published specifications, please stop using it promptly and contact us immediately. As for compensation for non-conforming goods delivered by Chemi-Con, we will limit it only to goods found in non-compliance of our published specifications. This may be accomplished by a no cost replacement of non-conforming individual products, a credit of the piece price paid per each individual non-conforming product, or in other ways deemed necessary.  
In addition, we have an established system with enhanced traceability, therefore we will limit the applicable lot items for any potential compensation.

[Part Numbering System](#)

[Part Numbering System \(Appendix\)](#)

[Standardization](#)

[Available Items by Manufacturing Locations](#)

[Environmental Measures](#)

[Technical Note](#)

[Precautions and Guidelines](#)

[Recommended Soldering Conditions](#)

[Taping, Lead-preforming and Packaging](#)

[Available Terminals for Snap-in and Screw Mount Type](#)