

LSUM 032R4C 0250F EA

The Ultracapacitor, also known as double-layer capacitor, stores energy by means of a static charge as opposed to a battery, which uses an electrochemical reaction.

The Ultracapacitor is used for energy storage applications which undergo very frequent charge and discharge cycles at high current and short duration. Its life can be as high as one million cycles. It features a wide operating temperature range, from - 40°C to 65°C, making it an ideal energy storage device for extreme environments.

It can be applied in wind power, hybrid systems, industrial automation, power backup and stabilization. Imagination is its only boundary.



PERFORMANCE SPECIFICATIONS

Rated Voltage(Nominal)	32.4 V
Serge Voltage	34.2 V
Max. Series Voltage	750 V
Capacitance	250 F
Capacitance Tolerance	- 0% / + 20%
Max. ESR DC	3.3 mΩ
Typical ESR DC	2.8 mΩ
Total Energy	36.5 Wh
Max. Current ¹	2,200 A
Leakage Current ²	< 11 mA
Rated voltage of Cells	2.7 V
Capacitance of Cells	3000 F
Number of Cells	12 Series

¹ The stated maximum peak current should not be used in normal operation and is only provided as a reference value.

² The module leakage current is based on the calculated value. It may change depending on the cell balancing configuration.

LIFE INFORMATION

Endurance Life (65 °C)	1500hr
Capacitance Change ³	< 20%
ESR DC Change ⁴	< 100%
Projected Life (25 °C)	10 Years
Capacitance Change ³	< 20%
ESR DC Change ⁴	< 100%
Projected Cycle Life (25 °C) ⁵	1,000,000 Cycles
Capacitance Change ³	< 20%
ESR DC Change ⁴	< 100%
Shelf Life (25 °C) ⁶	4 Years

³ Decrease from minimum initial value.

⁴ Increase from maximum initial value.

⁵ Cycle Life may vary for different working conditions. (e.g. voltage or temperature)

⁶ Stored uncharged state under appropriate storage conditions.

THERMAL SPECIFICATIONS

Max. Continuous Current $\Delta T=15\text{ }^{\circ}\text{C}^7$	90 A
Max. Continuous Current $\Delta T=40\text{ }^{\circ}\text{C}^7$	150 A
Thermal Resistance ($^{\circ}\text{C}/\text{W}$) ⁸	0.56 $^{\circ}\text{C}/\text{W}$

⁷Initial state value.

⁸The specification is calculated under limited conditions.

SAFETY INFORMATION

Short Circuit Current ⁹	9,800 A
Isolation Voltage (DC, Terminal – Case, 60 sec)	2.5 kV
Certification	RoHS, REACH

⁹Calculated value. Do not use as an operating current.

MONITORING INFORMATION

Temperature Sensor	-
Communication Interface	-
Connector	-
Cell Voltage Monitoring	-
Cell Balancing	Passive

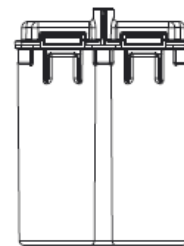
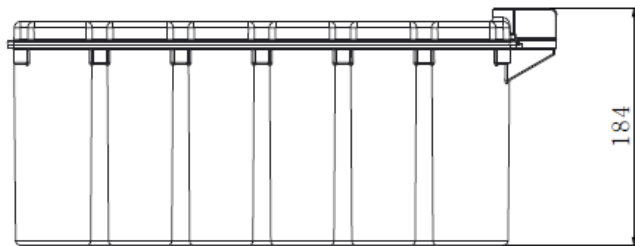
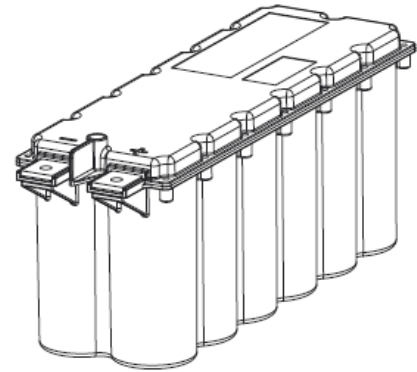
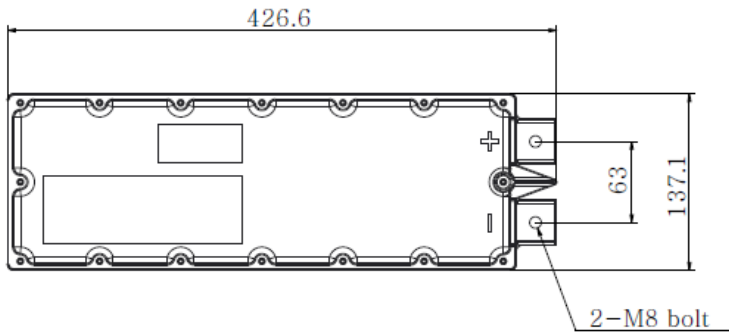
MECHANICAL SPECIFICATIONS

Length	137.1 ± 1.0 mm
Width	426.6 ± 1.0 mm
Height	184.0 ± 1.0 mm
Weight	Max. 10.0 kg

PHYSICAL SPECIFICATIONS

Power Terminals	M8
Recommended Torque (Terminal)	20Nm
Vibration & Shock Protection ¹⁰	-
Environment Protection ¹⁰	-

¹⁰The specifications are for tests with limited conditions and may differ under actual conditions.



Markings

- Positive / Negative terminal
- Serial number
- Part number
- Warning marking

Accessories (Not Included)

Notice : Product dimensions and specifications may change without notice. Please contact LS Materials for any technical specifications.